



Emerson[®]

AM/FM RADIO/FLASHLIGHT

BATTERY OPERATION and

BACK-UP DYNAMO POWER SUPPLY

OWNER'S MANUAL

RP6289

Visit our web site at www.emersonradio.com

Thank You.....

for purchasing this Emerson AM/FM Radio/Flashlight with a built-in wind-up dynamo system that provides power when normal batteries are not available. This unique model is designed to operate on two normal “AA” batteries (not included). But it is also supplied with a compact Nickel Metal Hydride (NiMH) rechargeable battery pack inside the battery compartment. If the normal “AA” batteries are exhausted and replacement batteries are not immediately available, you can power the radio by winding the dynamo handle to charge the NiMH battery pack. 90 seconds of winding the dynamo handle will provide approximately 30 minutes of radio operation at medium volume level.

If you experience a power failure due to severe weather conditions, or any other reason, this unique Emerson model will always be ready to provide you with news, and a compact light source, until the power is restored.

Please read this manual carefully and completely to make sure you fully understand the features and operation of this product.

Once again, thank you for purchasing this Emerson dual-powered radio/flashlight.

Model Number: RP6289

Serial Number: _____

IMPORTANT NOTES

FCC INFORMATION

This device complies with Part 15 of the FCC Rules. Operation is subject to the following two conditions:

- (1) This device may not cause harmful interference, and
- (2) This device must accept any interference received, including interference that may cause undesired operation.

Note:

The manufacturer is not responsible for any radio or TV interference caused by unauthorized modifications to this equipment. Such modifications could void the user's authority to operate the equipment.

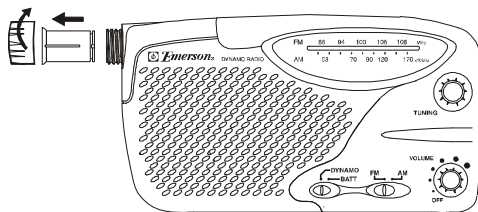
BULB REPLACEMENT

Replacing The Flashlight Bulb

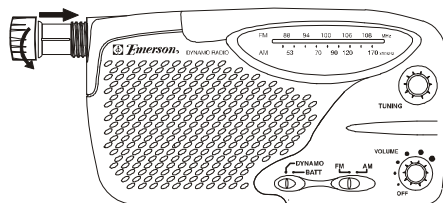
This radio/flashlight is supplied with a replacement bulb assembly that was included in the packaging.

Remove the bulb assembly from the packaging and store it in a safe place for future use. If the flashlight no longer works, but the radio is working and the batteries are good, the bulb has probably burned out and needs to be replaced.

To replace the bulb assembly, rotate the bulb cover 'counter-clockwise' to remove it, then tilt the radio and the bulb assembly will slide out of the cabinet.



Insert the new bulb assembly in the cabinet, replace the bulb cover and rotate it 'clockwise' to tighten.



PREPARATION FOR USE

POWER SOURCE

This Radio/Flashlight is designed to operate on two “AA” batteries, not included, or the included rechargeable **NiMH** battery pack which is located in the battery compartment.

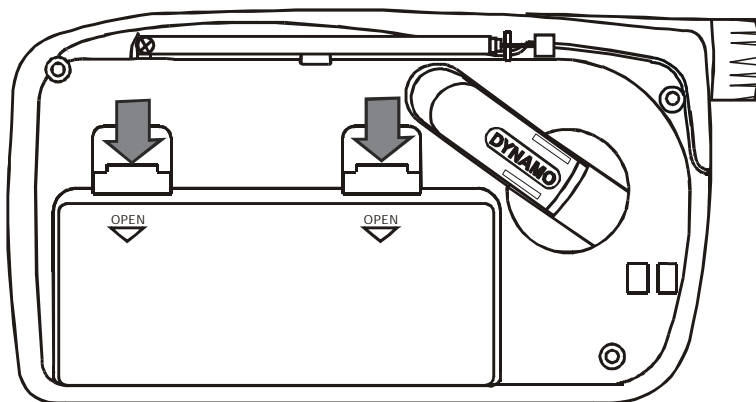
Using “AA” Batteries

Important Notes:

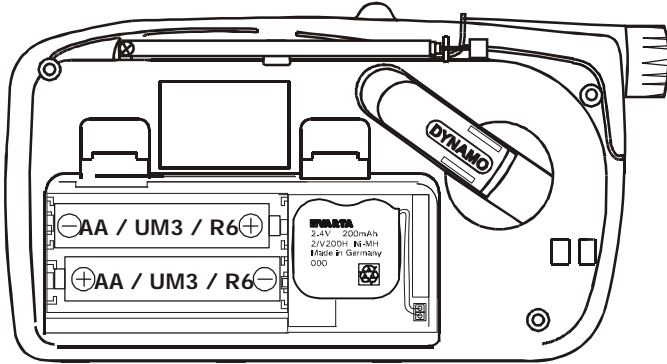
- Use only a well known brand of alkaline batteries for longest life and best performance.
- Do not mix old and new batteries, different types of batteries (standard, alkaline, or rechargeable).

Follow these steps to install batteries :

- 1.) Remove the battery compartment cover by pressing down on the cover's two tabs, then lift the cover.



- 2.) Place the “AA” batteries in the compartment, following the polarity symbols (+ and -) marked inside.



- 3.) Replace the cover.
- 4.) Set **DYNAMO/BATTERY** selector switch to **BATT.**

Notes:

- When the radio does not operate properly or the sound becomes weak, replace the “AA” batteries.
- If you do not plan to use the radio for a week or more, please remove the “AA” batteries. Leaking batteries can damage the radio and such damage is not covered by the warranty.

WARNING: *Dispose of exhausted batteries properly, in accordance with any local disposal regulations. Do not bury them or burn them.*

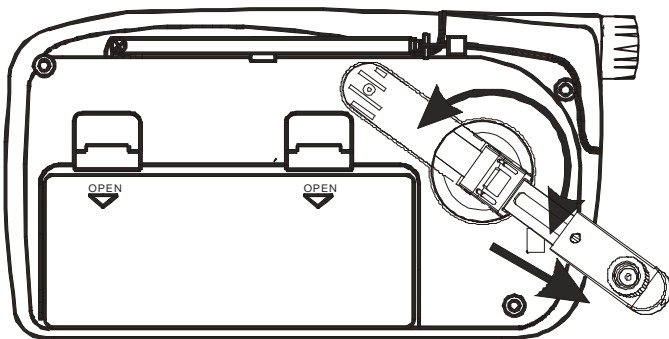
Using the Rechargeable NiMH battery pack

Your radio has a built-in power generator which can charge the internal rechargeable battery pack and let you play your radio without the “AA” batteries. When you rotate the crank for as little as one and half minutes, the generator recharges the 2.4V battery pack which powers the radio for about 30 minutes. Follow these steps to power your radio using generator and the rechargeable battery pack.

- 1.) Remove the battery compartment cover.
- 2.) The supplied 2.4V rechargeable battery is already installed in the battery compartment, but not connected.
- 3.) Insert the battery pack’s white plug into the socket.

Caution: The battery pack’s polarized plug fits into the socket only one way. If the plug does not fit properly, turn it over and try again. Do not force it.

- 4.) Replace the compartment cover.
- 5.) Set **VOLUME** to **OFF**.
- 6.) Unfold the crank handle and extend it to its full length, then rotate it clockwise or counterclockwise. Radio operation time depends on the number of turns and the time per turn. For example, approximately 2 turns per second for 90 seconds will provide about 30 minutes of radio operation at a medium volume level. You can recharge the battery pack even while the radio plays.



- 7.) Return the crank to the folded position.

Replacing the Rechargeable NiMH battery pack

If turning the crank at about 2 turns per second for about 1 minute does not power the radio for at least 15 minutes, replace the 2.4V rechargeable battery pack.

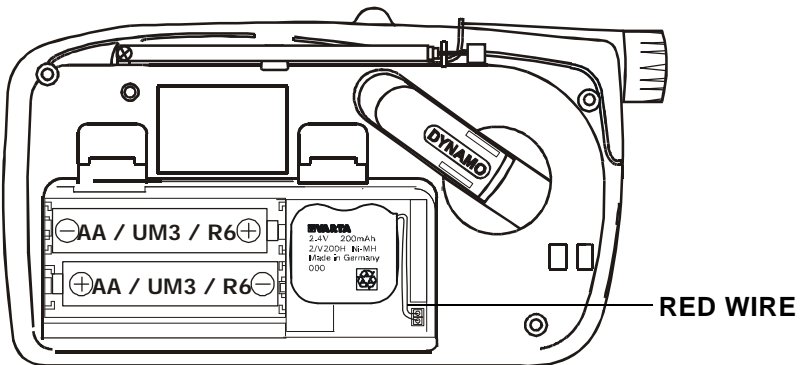
- 1.) Remove the battery compartment cover.
- 2.) Unplug the rechargeable battery pack connector and lift the pack out of the compartment.
- 3.) Insert a new battery pack's plug into the socket the place the battery into the compartment.

Note:

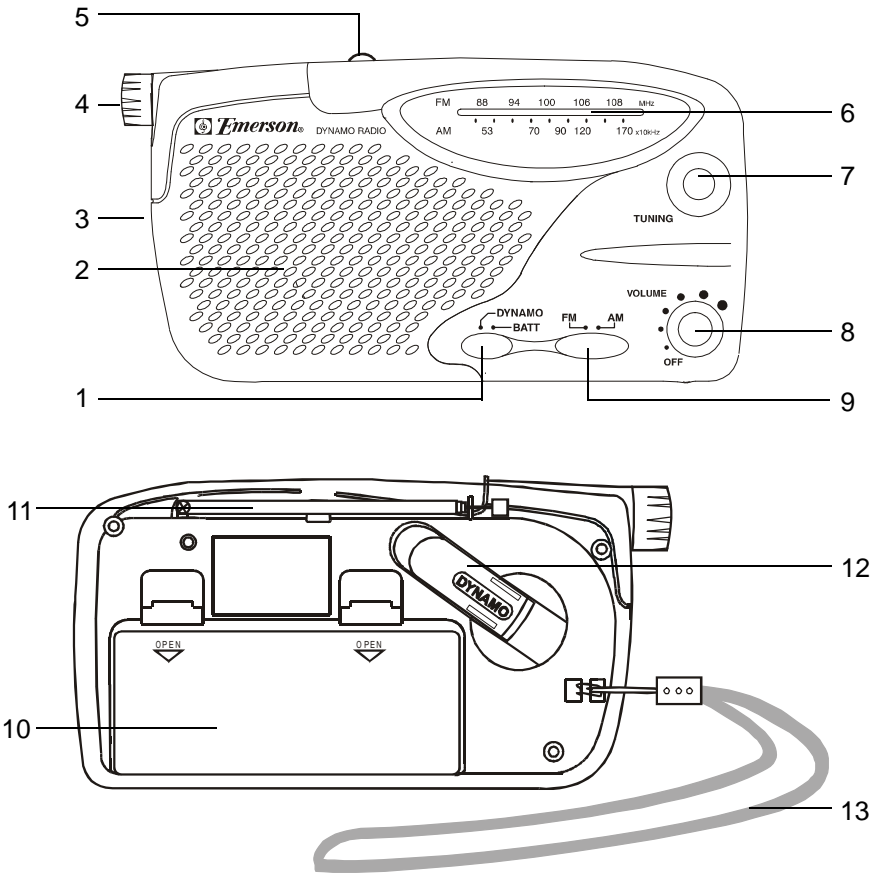
Replacement **NiCad** rechargeable battery packs are available from Radio Shack. The Radio Shack equivalent 2.4V **NiCad** rechargeable battery is Radio Shack item number: **CAT. # 23-290.**

Caution: The supplied battery pack plug has the **red wire** toward the top of the radio when inserted correctly. To ensure proper polarity, only use the supplied or recommended replacement battery pack.

- 4.) Replace the compartment cover.



LOCATION OF CONTROLS AND INDICATORS



- 1.) **DYNAMO/BATT** Selector Switch.
- 2.) Speaker.
- 3.) **EARPHONE** Jack.
- 4.) Flash Light.
- 5.) **LIGHT HI/OFF/LO** Selector Switch.
- 6.) Tuning Dial.
- 7.) **TUNING** Control.
- 8.) **VOLUME** Control.
- 9.) Band (**FM/AM**) Switch.
- 10.) Battery Compartment.
- 11.) FM Rod Antenna.
- 12.) Dynamo Crank Handle.
- 13.) Wrist Strap.

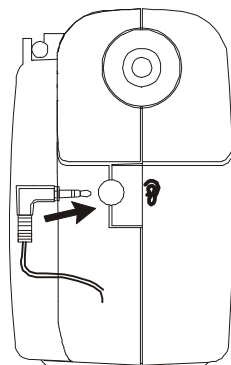
OPERATING INSTRUCTIONS

PLAYING THE RADIO

- 1.) If you have installed “AA” batteries, set the **DYNAMO/BATT** selector switch to **BATT** position. To power the radio using the rechargeable pack or the generator, set the **DYNAMO/BATT** selector switch to **DYNAMO** position.
- 2.) Rotate the **VOLUME** control clockwise (↻) to turn the radio “On”.
- 3.) Set **FM/AM** band selector to the desired band. If you selected the **FM** band, extend the FM rod antenna to its full length.
- 4.) Rotate **TUNING** control to select the desired station.
- 5.) Adjust **VOLUME** control to a comfortable listening level.
- 6.) To turn off the radio, rotate the **VOLUME** control fully counterclockwise (↺).

USING EARPHONES/HEADPHONES

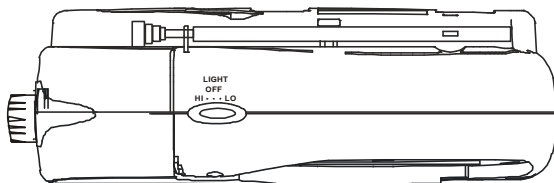
To listen to the radio privately, connect an earphone or headphone (not including) with a 3.5-mm (1/8-inch) plug to the jack beneath the rubber flap on the side of the radio. Plugging in an earphone or headphone disconnects the internal speaker.



USING THE FLASHLIGHT

Slide the **HI/OFF/LO** switch on the top of the unit to the **HI** or **LO** position to turn the light “On”.

Slide the **HI/OFF/LO** switch to **OFF** to shut the light “Off”.



Note: The operating time of the flashlight will be longer when the light switch is set to the “**LO**” position.

LIMITED WARRANTY

Emerson Radio Corp. warrants manufacturing defects in original material, including original parts and workmanship, under normal use and conditions, for a period of ninety (90) days from the date of original purchase in the U.S. With your dated proof of purchase, we will provide repair service at no charge for labor and parts (excluding battery) at an authorized Depot Repair Facility, or replace the product in our discretion. For repair or replacement, pack your unit in a padded box, enclose your check or money order payable to Emerson Radio Corp. in the amount of \$5.00 (not required by California residents) to cover shipping and handling costs, and enclose a copy of your proof of purchase. Send your unit to:

Emerson Radio Corp.
1901 Diplomat Drive,
Farmers Branch, TX 75234.

This warranty does not cover damage from negligence, misuse, abuse, accident, failure to follow operating instructions, commercial use, rental, repairs by an unauthorized facility, or products purchased, used, serviced or damaged outside of the United States.

THIS WARRANTY GIVES YOU SPECIFIC LEGAL RIGHTS, AND YOU MAY ALSO HAVE OTHER RIGHTS WHICH VARY FROM STATE TO STATE.

AU898P



TO FIND THE LOCATION AND PHONE NUMBER OF YOUR NEAREST SERVICE CENTER PERMITTED TO PERFORM WARRANTY...

CALL TOLL FREE: 1-800-695-0098

FOR ADDITIONAL SET-UP OR OPERATING ASSISTANCE

PLEASE CALL:

1-800-898-9020

FOR CUSTOMER SERVICE, PLEASE WRITE TO:

Emerson Radio Corp.
Consumer Affairs Dept.
1901 Diplomat Drive,
Farmers Branch, TX 75234.