



COMPLETE STEREO SYSTEM
with AM/FM STEREO RADIO,
CD and CASSETTE PLAYER,
and FULL SIZE STEREO PHONOGRAPH

OWNER'S MANUAL

NR305TTC

CAUTION

TO PREVENT FIRE OR SHOCK HAZARD, DO NOT USE THIS PLUG WITH AN EXTENSION CORD, RECEPTACLE OR OTHER OUTLET UNLESS THE BLADES CAN BE FULLY INSERTED TO PREVENT BLADE EXPOSURE. TO PREVENT FIRE OR SHOCK HAZARD, DO NOT EXPOSE THIS APPLIANCE TO RAIN OR MOISTURE.

 <p>The lightning flash with arrow-head symbol, within an equilateral triangle is intended to alert the user to the presence of uninsulated 'dangerous voltage' within the product's enclosure that may be of sufficient magnitude to constitute a risk of electric shock to persons.</p>	<p>CAUTION RISK OF ELECTRIC SHOCK DO NOT OPEN</p> <p>WARNING: TO REDUCE THE RISK OF ELECTRIC SHOCK DO NOT REMOVE COVER (OR BACK), NO USER SERVICEABLE PARTS INSIDE REFER SERVICING TO QUALIFIED SERVICE PERSONNEL.</p>	 <p>The exclamation point within an equilateral triangle is intended to alert the user to the presence of important operating and maintenance (servicing) instructions in the literature accompanying the appliance.</p>
--	--	---

IMPORTANT SAFETY INSTRUCTIONS

- 1.) Read these instructions.
- 2.) Keep these instructions.
- 3.) Heed all warnings.
- 4.) Follow all instructions.
- 5.) Do not use this apparatus near water.
- 6.) Clean only with dry cloth.
- 7.) Do not block any ventilation openings. Install in accordance with the manufacturer's instructions.
- 8.) Do not install near any heat sources such as radiators, heat registers, stoves, or other apparatus (including amplifiers) that produce heat.
- 9.) Do not defeat the safety purpose of the polarized or grounding-type plug. A polarized plug has two blades with one wider than the other. A grounding type plug has two blades and a third grounding prong. The wide blade or the third prong is provided for your safety. If the provided plug does not fit into your outlet, consult an electrician for replacement of the obsolete outlet.
- 10.) Protect the power cord from being walked on or pinched particularly at plugs, convenience receptacles, and the point where they exit from the apparatus.
- 11.) Only use attachments / accessories specified by the manufacturer.
- 12.) Unplug this apparatus during lightning storms or when unused for long periods of time.
- 13.) Refer all servicing to qualified service personnel. Servicing is required when the apparatus has been damaged in any way, such as power-supply cord or plug is damaged, liquid has been spilled or objects have fallen into the apparatus, the apparatus has been exposed to rain or moisture, does not operate normally, or has been dropped.
- 14.) This appliance shall not be exposed to dripping or splashing water and no object filled with liquids such as vases shall be placed on the apparatus.
- 15.) Do not overload wall outlet. Use only power source as indicated.
- 16.) Use replacement parts as specified by the manufacturer.
- 17.) The product may be mounted to a wall only if recommended by the manufacturer.
- 18.) Upon completion of any service or repairs to this product, ask the service technician to perform safety checks.

Thank you.....for purchasing this Emerson Heritage Series complete home stereo system. Inside this beautiful real wood veneer cabinet you will find a state of the art audio system that includes a stereo radio, CD and Cassette players, a full-size, 3-speed stereo phonograph, and matching wide range stereo speakers. This system has been designed to provide you with many years of enjoyment and trouble-free operation with an absolute minimum of care and maintenance.

Every component in this system was in perfect working order when it left our factory. If you experience any problems with the set up or operation of this system, ~~PLEASE DO NOT RETURN IT TO THE RETAIL STORE.~~ Please call the Emerson Customer Service Hotline, toll-free, at 800-898-9020. One of our representatives will attempt to resolve the problem for you. If the problem cannot be resolved by phone you will be instructed on how to receive a replacement unit.

soniglm

Please read all of the instructions in this manual to make sure you are getting the maximum benefit out of all the features included in this system. And please save this manual for future reference. It includes your warranty and important service information

Once again, thank you for purchasing this Emerson Heritage Series Complete Stereo System.

The serial number of your system is located on a label on the back panel. Please take a moment now to locate the serial number and write the number in the space provided below. You may be asked to provide this number when calling for product service.

Model Number: NR305TTC ✓
Serial Number: _____

IMPORTANT NOTES

- Avoid installing this unit in places exposed to direct sunlight or close to heat radiating appliances such as electric heaters, on top of other stereo equipment that radiates too much heat, places lacking ventilation or dusty areas, places subject to constant vibration and/or humid or moist areas.
- Do not attempt to clean this unit with chemical solvents as this might damage the finish. Use a clean dry cloth.
- Operate controls and switches as described in the manual.
- Before turning 'On' the power, make certain that power cord is properly installed.
- Store your CDs, cassettes in a cool area to avoid damage from heat.
- When moving the set, be sure to first disconnect the power cord.

CLASS 1 LASER PRODUCT

CLASS 1 LASER PRODUCT
APPAREIL A LASER DE CLASSE 1
PRODUCTO LASER DE CLASE 1

CAUTION
INVISIBLE LASER RADIATION
WHEN OPEN AND INTERLOCKS
DEFEATED.
AVOID EXPOSURE TO BEAM



This product contains a low power Laser Device.

FCC INFORMATION

This equipment has been tested and found to comply with the limits for a Class B digital device, pursuant to Part 15 of the FCC Rules. These limits are designed to provide reasonable protection against harmful interference in a residential installation. This equipment generates, uses, and can radiate radio frequency energy and, if not installed and used in accordance with the instructions, may cause harmful interference to radio communications. However, there is no guarantee that interference will not occur in a particular installation. If this equipment does cause harmful interference to radio or television reception, which can be determined by turning the equipment off and on, the user is encouraged to try to correct the interference by one or more of the following measures:

- Reorient or relocate the receiving antenna.
- Increase the separation between the equipment and receiver.
- Connect the equipment into an outlet on a circuit different from that to which the receiver is connected.
- Consult the dealer or an experienced radio/TV technician for help.

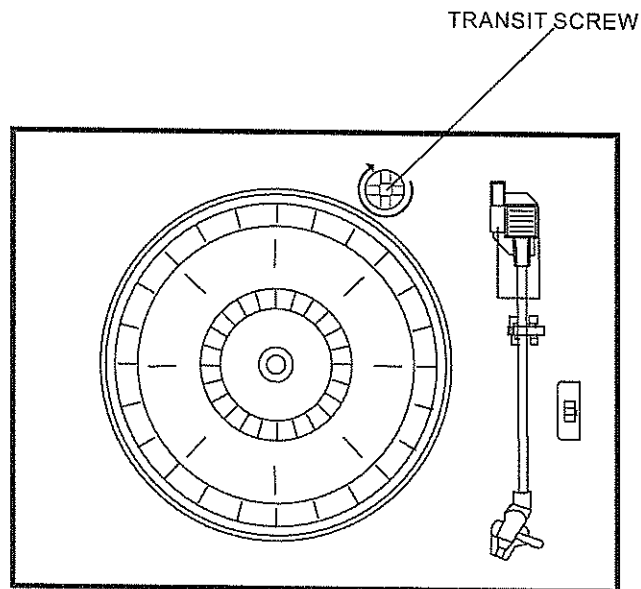
This device complies with Part 15 of the FCC Rules. Operation is subject to the following two conditions:

- (1) This device may not cause harmful interference, and
- (2) This device must accept any interference received, including interference that may cause undesired operation.

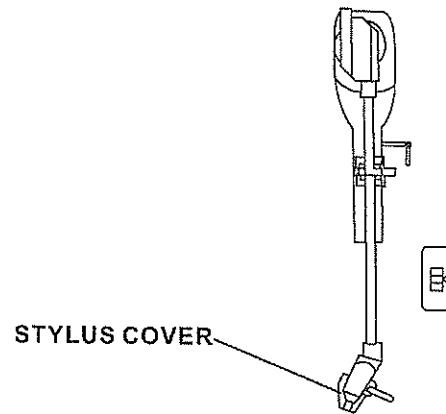
PREPARATION FOR USE

UNPACKING AND SET UP

- Carefully remove the unit from the display carton and remove all packing material from the unit.
- Unwind the AC power cord and extend it to its full length.
- Unwind the FM Antenna wire and extend it to its full length.
- Place the unit on a stable, level surface, convenient to an AC outlet, out of direct sunlight, and away from sources of excess heat, dust, moisture, humidity, or strong magnetic fields.
- Raise the lid to expose the phonograph. The phonograph has been secured for shipment with a transit screw. Use a coin or screwdriver to turn the transit screw clockwise. This will allow the turntable to “float”.

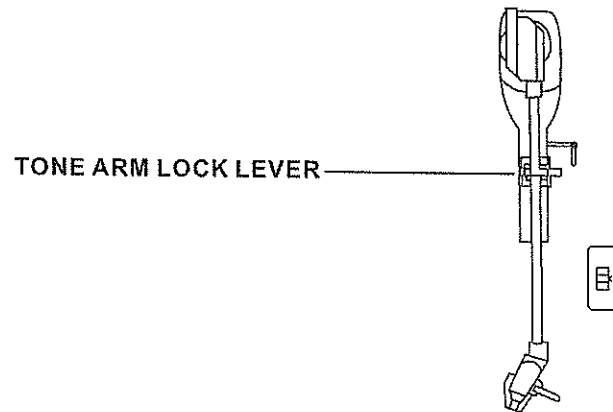


- Remove the opaque white plastic stylus cover from the phonograph stylus by sliding it in the direction of the arrow.



Discard the stylus cover.

- Remove the twist-tie that was used to secure the tone arm during shipment.
- Release the tone arm lock lever.

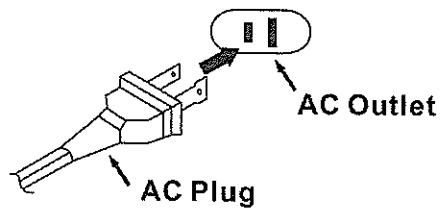


- Connect the plug to your AC outlet.

POWER SOURCE

This product is designed to operate on normal 120V 60Hz AC only. Attempting to operate this system from any other power source may cause damage to the system, and such damage is not covered by your warranty.

NOTE: You will note that this system is equipped with a polarized AC power plug having one blade wider than the other. This is a safety feature. If this plug does not fit into your existing AC outlet, do not try to defeat this safety feature by filing the wide blade to make it fit into your outlet. If this plug will not fit into your outlet, you probably have an outdated non-polarized AC outlet. You should have your outlet changed by a qualified licensed electrician.



PROTECT YOUR FURNITURE

This model is equipped with non-skid rubber 'feet' to prevent the product from moving when you operate the controls. These 'feet' are made from non-migrating rubber material specially formulated to avoid leaving any marks or stains on your furniture. However certain types of oil based furniture polishes, wood preservatives, or cleaning sprays may cause the rubber 'feet' to soften, and leave marks or a rubber residue on the furniture. To prevent any damage to your furniture we strongly recommend that you purchase small self-adhesive felt pads, available at hardware stores and home improvement centers everywhere, and apply these pads to the bottom of the rubber 'feet' before you place the product on fine wooden furniture.

IMPORTANT: Raising And Lowering The Lid

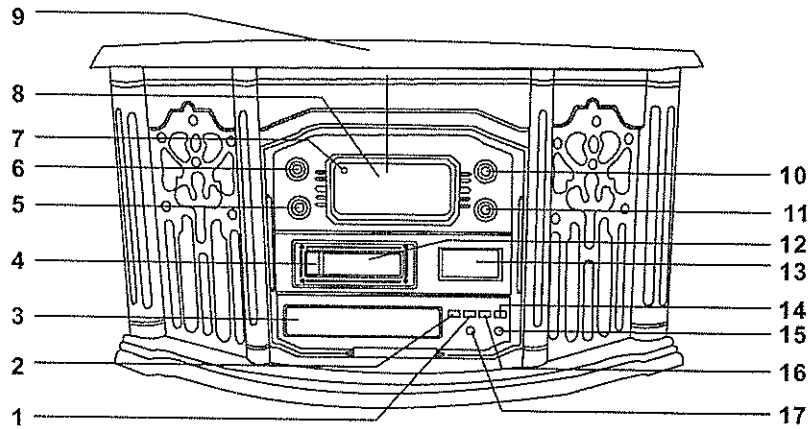
To open the lid, raise it as far as it will go until the lid support bracket locks in the open position.

To close the lid, lift it upward slightly until the lid support bracket unlocks, and then gently lower the lid.

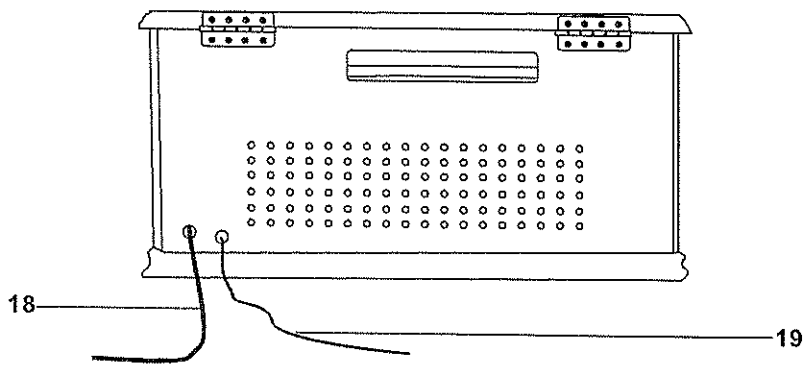
TO AVOID DAMAGING THE CABINET OR THE LID, NEVER FORCE THE LID CLOSED. ALWAYS RAISE THE LID TO RELEASE THE LID SUPPORT BRACKET.

LOCATION OF CONTROLS AND INDICATORS

FRONT PANEL



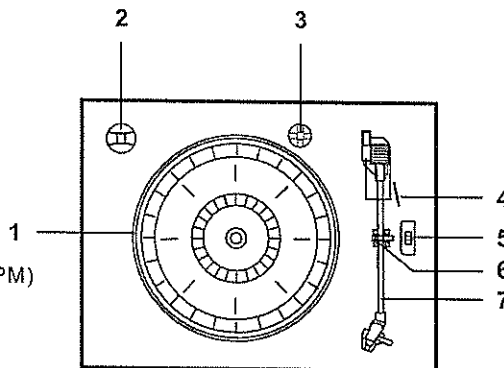
BACK PANEL



- 1.) CD **F.R** (Fast Reverse) Button.
- 2.) **PLAY/PAUSE** Button.
- 3.) CD Drawer.
- 4.) Cassette **EJ/FF** (Eject/Fast Forward) Button.
- 5.) Band Selector (**AM/FM**).
- 6.) **TUNING** Control.
- 7.) **FM ST** Indicator.
- 8.) Tuning Dial.
- 9.) Phonograph Lid.
- 10.) **ON/OFF-VOLUME** Control.
- 11.) Function Selector (**PHONO/CD/TUNER**).
- 12.) Cassette Player.
- 13.) CD Track Number Display.
- 14.) CD **OPEN/CLOSE** Button.
- 15.) **EARPHONE** (Headphone) Jack.
- 16.) CD **F.F** (Fast Forward) Button.
- 17.) CD **STOP** Button.
- 18.) AC Power Cord.
- 19.) FM Lead Wire Antenna.

PHONOGRAPH

- 1.) Turntable.
- 2.) 45 RPM Adapter.
- 3.) Transit Screw.
- 4.) Cue Lever.
- 5.) Speed Selector (**33/45/78** RPM)
- 6.) Tone Arm Lock.
- 7.) Tone Arm with Stylus.



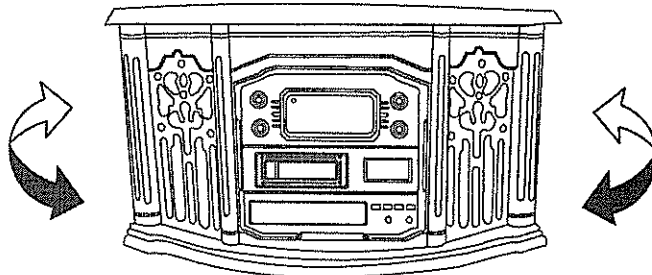
OPERATING INSTRUCTIONS

LISTENING TO THE RADIO

- 1.) To turn the system 'on', rotate the **ON/OFF-VOLUME** control clockwise until a 'click' is heard, and set the Volume to a low level.
- 2.) Set the Function selector (**PHONO/CD/TUNER**) to the **TUNER** position.
- 3.) Set the Band selector (**AM/FM**) to the desired band.
- 4.) Rotate the **TUNING** control to tune to the desired radio station. If you tune to a strong FM Stereo station the **FM ST** Indicator will light and reception will be in stereo. If you tune to a weaker FM station, the reception will automatically switch to mono.
- 5.) Adjust the **ON/OFF-VOLUME** control to the desired level.
- 6.) When you are finished listening turn the **ON/OFF-VOLUME** control counter clockwise until a 'click' is heard.

Antenna Information

The AM antenna is inside the cabinet. If AM reception is unsatisfactory try repositioning the cabinet slightly until the internal antenna is picking up the strongest signal.

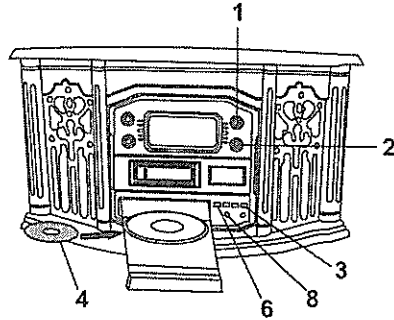


The FM wire antenna is located on the back cabinet. If necessary adjust the position and direction of this antenna until you find the position that provides the best reception.

PLAYING COMPACT DISCS

1.) Turn the **ON/OFF-VOLUME** control clockwise until a 'click' is heard, and set the volume to a low level.

2.) Set the Function selector (**PHONO/CD/TUNER**) to the **CD** position. The CD track number display come 'on'.



3.) Press the **CD OPEN/CLOSE** button to open the CD drawer.

4.) Place your disc in the drawer with the printed label side facing up.

5.) Press the **CD OPEN/CLOSE** button once more to close the drawer. The disc will spin for a few seconds while the player reads the disc, then the disc stops and the display shows the total number of tracks on the disc.



6.) Press the **CD PLAY/PAUSE** button to begin playback on track number one. The Play Indicator lights.



7.) Adjust the **ON/OFF-VOLUME** control to the desired level.

8.) Playback will continue until the end of the disc. When the disc ends the display again shows the total number of tracks on the disc. You may also stop playback at any time by pressing the **CD STOP** button.

Pause Control

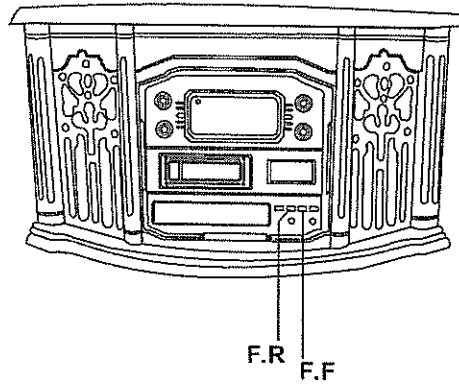
To pause momentarily during playback press the **CD PLAY/PAUSE** button again. Playback stops but the disc continues to spin and the Play indicator flashes. Press the **CD PLAY/PAUSE** button once more to cancel Pause and resume playback. The Play indicator stops flashing.



Skipping Tracks and High Speed Music Search

During CD Playback, repeatedly press the **F.F** (Fast Forward) or **F.R** (Fast Reverse) buttons to skip to higher or lower number tracks. When the desired track number appears on the display release the buttons and playback will begin on the desired track.

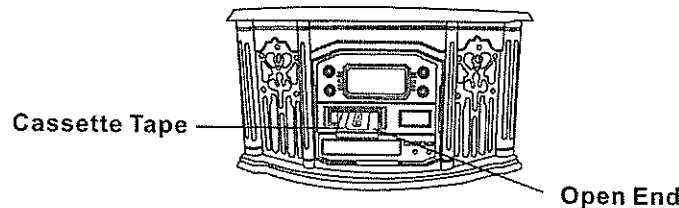
To rapidly search forward or back within a track to locate a specific musical passage, depress and hold either the **F.F** (Fast Forward) or **F.R** (Fast Reverse) buttons. The player will move forward or backward at high speed as long as the buttons are depressed. When you hear the desired passage release the buttons. Normal playback will resume at that point.



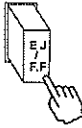
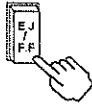
PLAYING CASSETTE TAPES

Note: Before inserting a tape in the player be sure that there is no excess slack in the cassette that could become jammed in the mechanism. Refer to the Care and Maintenance section for instructions on removing excess slack from the cassette.

- 1.) Rotate the **ON/OFF-VOLUME** control clockwise until a 'click' is heard and set the Volume to a low level.
- 2.) Insert your cassette into the slot, as shown in the illustration, with the side you wish to play facing 'up' and the open end on the right side.



Note: There is no 'TAPE' position on the Function selector. When you insert a cassette onto the player the system automatically switches to the Tape mode.

- 3.) Cassette playback begins as soon as the tape is inserted. Adjust the **ON/OFF-VOLUME** control to the desired level.
- 4.) To advance the tape rapidly, depress the **EJ/FF** (Eject/Fast Forward) button approximately half way. The tape will move forward rapidly as long as the button is depressed. Normal playback will resume when the button is released. 
- 5.) When the tape ends the player stops automatically. Depress the **EJ/FF** (Eject/Fast Forward) button completely to remove the cassette from the player. You may press the **EJ/FF** (Eject/Fast Forward) button to stop playback and remove the cassette at any time. 
- 6.) To turn the system 'off,' rotate the **ON/OFF-VOLUME** control counter clockwise until a 'click' is heard.

PLAYING RECORDS

This system includes a full-size, 3-speed, belt-drive turntable. You can play **33**, **45**, and **78** RPM records.

- 1.) Turn the **ON/OFF-VOLUME** control clockwise until a 'click' is heard, and set the Volume to a low level.
- 2.) Set the Function (**AM/FM/TAPE/CD/PHONO**) selector to the **PHONO** position.
- 3.) Make sure that you have removed the stylus cover from the stylus and have released the Tone Arm Lock that secured the tone arm to the tone arm rest.
- 4.) Set the turntable Speed Selector to the appropriate speed, 33, 45, or 78 RPM. If you are playing 45 RPM 'singles', place the 45 RPM adapter on the center spindle.
- 5.) Place your record on the center spindle.
- 6.) Raise the CUE lever to lift the tone arm off its rest. Move the tone arm to the edge of the record. The turntable starts automatically. Use the CUE lever to gently lower the tone arm onto the record.
- 7.) Adjust the **ON/OFF-VOLUME** control to the desired level.
- 8.) When the tone arm reaches the end of the record it automatically returns to the tone arm rest and the record player stops.
- 9.) To turn the system 'off', rotate the **ON/OFF-VOLUME** control counter clockwise until a 'click' is heard.

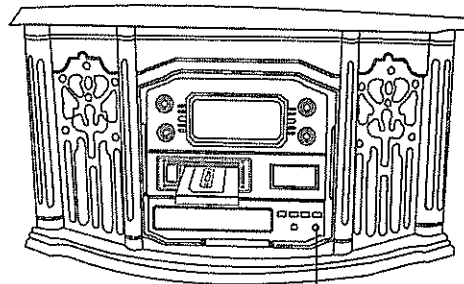
NOTE: Do not turn or stop the turntable manually. Moving or jarring the Turntable without securing the Tone Arm clamp could result in damage to the Tone Arm.

IMPORTANT!!

- TO PROTECT THE TURNTABLE FROM DAMAGE DURING TRANSPORTATION, A SILVER TRANSIT SCREW IS LOCATED AT THE UPPER RIGHT CORNER OF THE TURNTABLE PLATFORM.
- BEFORE PLAYING, PLEASE USE A SCREWDRIVER TO TURN THE TRANSIT SCREW IN CLOCKWISE DIRECTION (SCREW GOING DOWN) COMPLETELY TO UNLOCK THE TURNTABLE.
- TO LOCK THE TURNTABLE AGAIN FOR TRANSPORTATION, PLEASE TURN THE SCREW IN COUNTER-CLOCKWISE DIRECTION.

USING STEREO HEADPHONES (NOT INCLUDED)

Connect a set of stereo headphones with a 3.5mm mini-plug to the **EARPHONE** jack on the front panel. Before putting on the headphones always set the **ON/OFF-VOLUME** control to a low level. Then put the headphones on and gradually increase the Volume to a comfortable listening level. The built-in speakers automatically shut off when headphones are connected to the **EARPHONE** jack.



EARPHONE Jack

CARE AND MAINTENANCE

CASSETTE CARE

Two common causes of trouble experienced when using cassettes are:

- 1.) Tape jamming-Leading to uneven speed in playback, and
- 2.) Tape tangling-Where the tape wraps itself around vital parts of the mechanism.

To reduce the likelihood of these problems occurring, the following precautions should be observed:

- Check that there are no loose layers of tape visible through the cassette center window (see Fig. 1). Take up any loose layers, using a pencil or hexagonal barrelled ballpoint pen, before inserting the cassette into the machine (see Fig. 2).

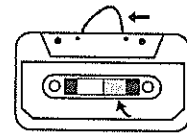


Fig.1

- If the cassette feels "tight" while performing operation shown (see Fig. 2), the tape may be jamming due to "ridges" formed in the winding of the tape (visible through the center window). These may be removed, in most cases, by fast winding of the cassette from one end to the other and back again.

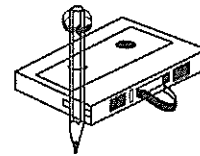


Fig.2

- Use only well-known brands of tape. Avoid use of C-120 cassettes.

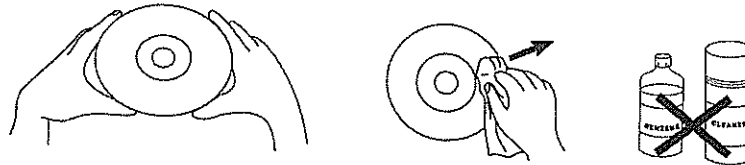
Furthermore, do not expose cassettes to direct sunlight, dust or oil, and do not touch the tape surfaces.

COMPACT DISC CARE

- To remove a disc from its storage case, press down on the center of the case and lift the disc out, holding it carefully by the edges.



- Fingerprints and dust should be carefully wiped off the disc's recorded surface with a soft cloth. Unlike conventional records, compact discs have no grooves to collect dust and microscopic debris, so gently wiping with a soft cloth should remove most particles. Wipe in a straight line from the inside to the outside of the disc. Small dust particles and light stains will have absolutely no effect on reproduction quality.



- Clean the disc periodically with a soft, lint-free, dry cloth. Never use detergents or abrasive cleaners to clean the disc. If necessary, use a CD cleaning kit.
- Never write on or affix labels to the surface of compact discs.

CARE OF THE CABINETS

- If the cabinets become dusty wipe them with a soft dry dust cloth. Do not use any wax or polish sprays on the cabinets.
- If the front panel becomes dirty or smudged with fingerprints it may be cleaned with a soft cloth slightly dampened with a mild soap and water solution. Never use abrasive cloths or polishes as these will mar the finish of your unit.

Caution: Never allow any water or other liquids to get inside the unit while cleaning.

EMERSON HOME ENTERTAINMENT WARRANTY

We appreciate your purchase of a EMERSON Home Entertainment product. We take pride in the quality of our products and have manufactured your new Home Entertainment unit to exacting quality standards. We feel confident that in normal use, it will provide you with satisfactory performance. However, should you experience difficulty, you are protected under the provisions of this warranty. EMERSON Home Entertainment products are warranted against manufacturing defects in materials and workmanship in normal use for the following period from the date of purchase by the original user, and is conditional upon the unit being installed and used as directed in the instruction manual.

PRODUC	TPARTS AND LABOUR
Audio Products	1 year
Remote Control	90 days
Clock Radios	1 year

EMERSON's obligation under this warranty shall be limited to the repair, including all necessary parts and the cost of the labour connected therewith, or at our option the exchange of any Home Entertainment product which shows evidence of a manufacturing defect within the warranty period.

Replacement parts, furnished in connection with this warranty shall be warranted for a period equal to the unexpired portion of the original equipment warranty.

CUSTOMER OBLIGATIONS

This warranty applies to the product from the original date of purchase at retail. Therefore, the owner must provide a copy of the original, dated bill of sale. No warranty service will be performed without a bill of sale. Transportation to and from the service depot is the responsibility of the owner.

WARRANTY EXCLUSIONS

This warranty is extended to EMERSON Home Entertainment products purchased and used in Canada. This warranty shall not apply to appearance or accessory items including but not limited to: antenna, cabinet, cabinet parts, knobs, batteries, connecting cables, cassette tapes, compact discs. This warranty shall, in addition, not apply to damages due to handling, transportation, unpacking, set-up, installation, customer adjustments that are covered in the instruction book, repair or replacement of parts supplied by other than the EMERSON authorized service depot, any malfunction or failure caused by or resulting from abnormal environmental conditions, improper unauthorized service, improper maintenance, modifications or repair by the consumer, abuse, misuse, neglect, accident, fire, flood, or other Acts of God, and incorrect line voltage.

This Home Entertainment product is only warranted to the original retail purchaser. This warranty becomes void in the event of commercial or rental use. This warranty becomes void in the event serial numbers are altered, defaced or removed. EMERSON reserves the right to make changes in design or to make additions to or improvements upon this product without incurring any obligation to install the same on products previously manufactured. The foregoing is in lieu of all other warranties expressed or implied and EMERSON neither assumes nor authorizes any person to assume for it any other obligation or liability in connection with the sale or service of this product. In no event shall EMERSON or its EMERSON dealers be liable for special or consequential damage arising from the use of this product, or for any delay in the performance of this warranty due to cause beyond our control.

The purchaser may have other rights under existing provincial or federal laws, and where any terms of this warranty are prohibited by such laws, they are deemed null and void, but the remainder of the warranty shall remain in effect.



HOW TO OBTAIN SERVICE

Should this product require service, you may obtain specific information on how to obtain service by contacting the EMERSON Dealer from whom this product was purchased, or by contacting us directly:

SONIGEM SERVICE

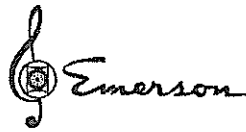
300 Alden Road

Markham, Ontario

L3R 4C1

PHONE: (905) 940-5089 FAX: (905) 940-2303

1-800-287-4871



EMERSON
Part No.: 16-2923EF
406-01

Printed in China